

# GAS DETECTOR MANUAL

## DB-370, DB-365 Series

	LNG
	LPG

This is an instruction manual for the residential gas detector. This gas detector can perfectly and independently perform the functions of sensing gas leakage and alarm, and also can be engaged with various shutoff devices of soosan hometech co., Ltd as are gas shutoff systems. Please read this manual before use the product.

### FEATURES

1. Prepared 6 models for various power sources & output.
2. Please select one of the following models.

Model	Power	Output cable	Approval
DB-370CE	230V AC	8V DC	CE
DB-370	220V AC	8V DC	
DB-371	110V AC	8V DC	
DB-370R, DB-370RCE	220V AC	DRY CONTACT	CE
DB-365, DB-365CE	12V DC	8V DC	CE
DB-365R, DB-365RCE	12V DC	DRY CONTACT	CE

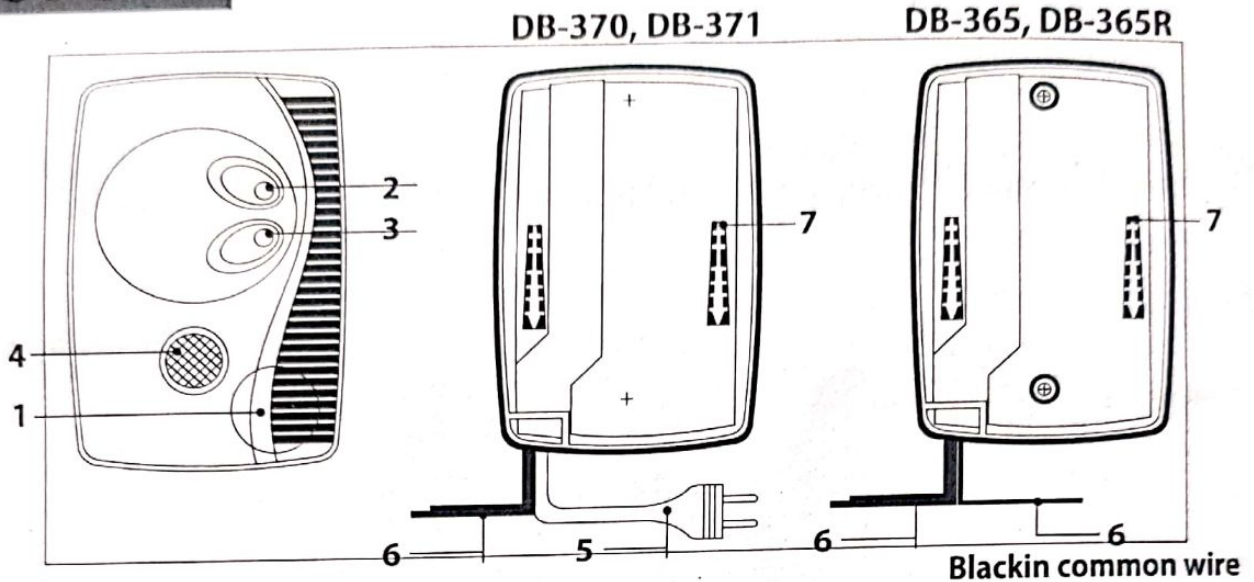
3. Accurate & sensitive catalytic sensing element.
4. Will only respond to combustibile gases.
5. Ear piercing buzzer and bright warning LED.
6. Simple testing method.
7. Resistant to water for model DB series.

### PRECAUTIONS FOR USE

1. Please ensure the use of correct voltage and polarity.
2. An alarm signal can be temporarily sounded in the event that paint, thinner, spray, etc are use near by the gas detector. This is not breakdown.

3. Please do not disassemble or let the product be fall down to give a shock.
4. Please do not short circuit between each lines of output cable.

## OUT LINE



- |                                    |                                 |
|------------------------------------|---------------------------------|
| 1. Buzzer                          | 2. Power indicating light/green |
| 3. Leakage indicating light/yellow | 4. Gas sensor                   |
| 5. Power cord                      |                                 |

Model	Input power
DB-370CE, AB-370RCE	230V AC
DB-371	110V AC
DB-370, AB-370R	220V AC
DB-365, AB-365CE, AB-365R, AB-365RCE	8V DC Red(+), Black(-)

### 6. Output & cable

Model	Output
DB-370CE, AB-370, AB-371	Red, Black(DC 8V)
DB-370R, AB-370RCE, AB-365R, AB-365RCE	Dry contact(Built in relay)
DB-365, AB-365CE	Black, green(DC 8V)

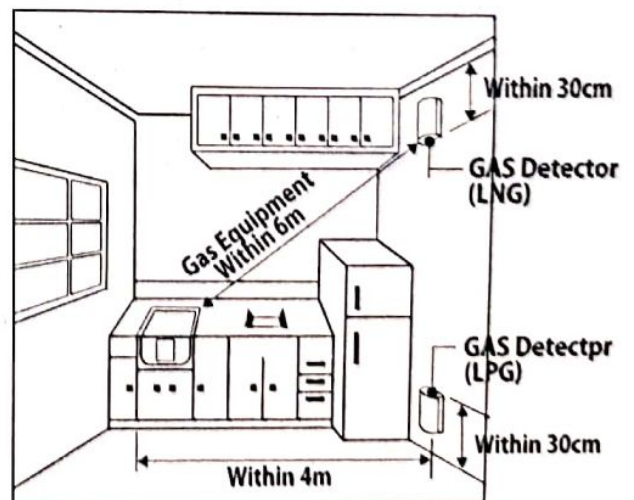
### 7. Wall hanging groove

# SPECIFICATIONS

Model	DB-370CE	DB-370	DB-370R(CE)	DB-371	DB-365(CE), DB-365R(CE)
Power	230VAC	220VAC		110VAC	12VDC
Principle of detection	Catalytic Combustion type				
Detect gas	LNG,LPG				
Density of alarm	Less than 1/4 of L.E.L				
Method of alarm	Buzzer sound, linking yellow LED				
indication of power on	Lighting green LED				
Time of stabilization	About 1 minute from initial power on				
Ambienttemp	-20°C ~ 40°C				
Dimension	H113 X W76 X D44( mm)				
Power consumption	2.4W			2.2W	1.4W
Length of power cord	1.5M				20cm
Weight	270g				97g
Mounting method	Wall-hanging with bracket				
Available period	2year				

# INSTALLATION

- Please mount this GAS DETECTOR to the interior of a room in which a gas equipment is located.
- By verifying combustion gas being used, please mount the GAS DETECTOR to the wall surface within 30cm of the bottom in case of heavier gas than air, and within 30cm of the ceiling in case of lighter gas than air.



• Please avoid the following places.

1. Adjacent to an entrance door or a ventilation fan where gas cannot remain.
2. Black of kitchen facilities where gas does not ventilate.
3. Place where steam is in direct contact with or has much moisture.

## **CHECKING METHOD**

Please check a function more than once every month.

- Please verify that the POWER INDICATING LIGHT is turned on.
- Please put test gas in the sensing inlet of a GAS DETECTOR by pressing the handgrip of a gas lighter down. If an alarm signal is sounded, it is normal(Please do not use the lit state.)

## **IN THE EVENT OF AN ALARM**

If gas is leaked in a house due to unexpected accidents in a gas equipment or gas pipe, a GAS DETECTOR operates in the prescribed density. However leaked gas remains in a house and thus the following steps shall be necessary.

1. Please stop using a fire and shut all the gas valves off.
2. Please open the windows for ventilation.
3. Please do not pull out plugs of an electric apparatus or do not touch switches as spark may cause ignition.
4. For safety measures, please contact the neighboring gas selling shop if causes for gas leakage are unknown.

Our company places higher priority on technological development and services based on reliability rather than sales.

**SOOSAN**  
**HOMETECH**

87, Samjigok-gil, Gwangju-si, Gyeonggi-do, Korea (Post-code) 12767

TEL. 82-31-797-1778 FAX. 82-31-797-0248

<http://www.soosanht.com>